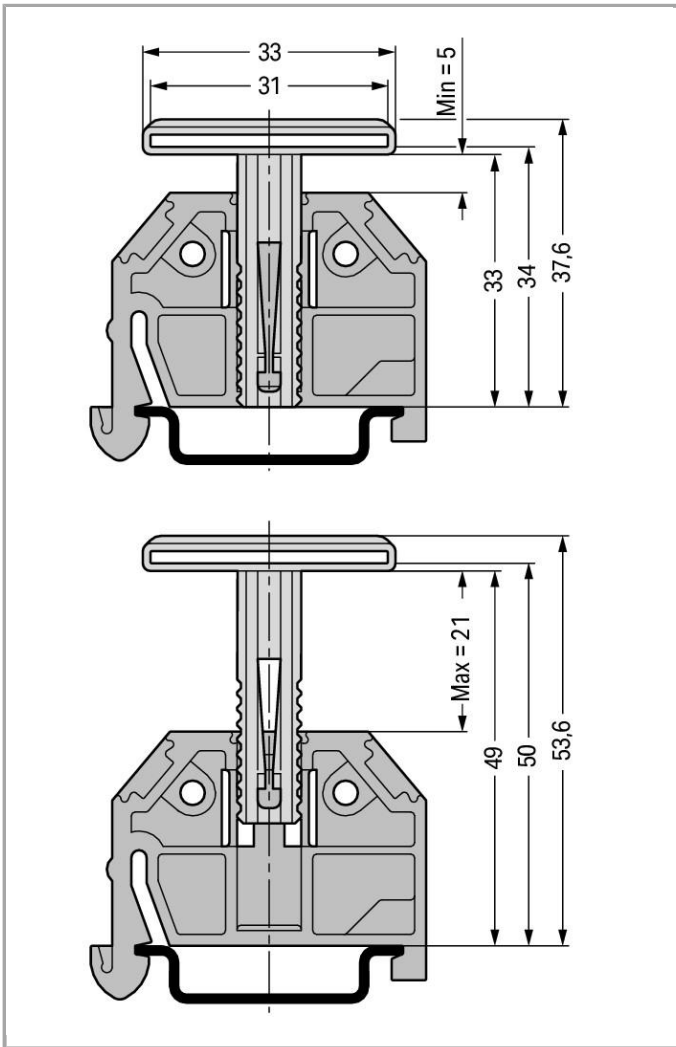




RoHS  Compliant

[BOMcheck.net](https://www.bomcheck.net)



## Data

### Technical Data

Color	gray
Eigenschaften	height-adjustable
Fire load	0.037 MJ

### Mechanical data

Weight	1.42 g
--------	--------

### Commercial data

Product Group	2 (Terminal Block Accessories)
Country of origin	DE
GTIN	4017332541817
Customs Tariff No.	4911990000



## Compatible products

### N-busbar



Item no.: 709-120  
Group marker carrier

709-120

### Marking accessories



Item no.: 709-193  
Marking strips; for laser printer

709-193

## Downloads

### Documentation

#### Bid Text

709-118

doc  
24.1 kB

[Download](#)

### CAD/CAE - Smart Data

#### CAD data

3D Download 709-118

[URL](#)

[Download](#)

Subject to changes.